

Audio Extender over CAT Cable (300m)



User Manual

VER 1.1

Thank you for purchasing this product

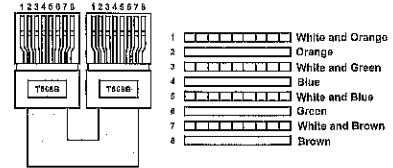
For optimum performance and safety, please read these instructions carefully before connecting, operating or adjusting this product. Please keep this manual for future reference.

Surge protection device recommended

This product contains sensitive electrical components that may be damaged by electrical spikes, surges, electric shock, lightning strikes, etc. Use of surge protection systems is highly recommended in order to protect and extend the life of your equipment.

Caution

The product requires the use of UTP connectors. Please connect in direct interconnection method and do not cross connect.



Direct Interconnection Method

Table of Contents

1. Introduction.....	1
2. Features.....	1
3. Package Contents.....	1
4. Specifications.....	2
5. Operation Controls and Functions.....	3
5.1. Transmitter.....	3
5.2. Receiver.....	3
6. Application Example.....	4

1. Introduction

This Audio Extender can transmit digital optical and analog audio signals concurrently up to a distance of 300m/990ft (48kHz), 150m/495ft (96kHz) or 100m/330ft (192kHz) over a single CAT5E/6 cable. The digital optical audio is directly passed from transmitter to receiver. The analog audio output on receiver is selectable from the digital optical or the analog audio signal from transmitter. The extender supports bidirectional POC function.

This is a fantastic plug and play solution for sending optical fiber and analog audio from an HDTV back to an amplifier, AVR or multi-room audio system which requires an analog stereo audio input signal.

2. Features

- ☆ Extend optical fiber and analog audio signals up to a distance of 300m/990ft (48kHz), 150m/495ft (96kHz) or 100m/330ft (192kHz) over a single CAT cable
- ☆ Audio formats support: LPCM, DTS, Dolby Digital and Dolby Digital Plus
- ☆ Support audio sample rates: 32kHz, 44.1kHz, 48kHz, 96kHz, 176.4kHz and 192kHz up to 24-bit resolution
- ☆ Built-in DAC (Digital to Analog Converter), the analog audio output port can output PCM 2.0 digital audio or analog audio through the audio selection switch
- ☆ Support bidirectional POC function.
- ☆ Plug-and-play
- ☆ Small compact size
- ☆ Ultra-low jitter and high-fidelity design

3. Package Contents

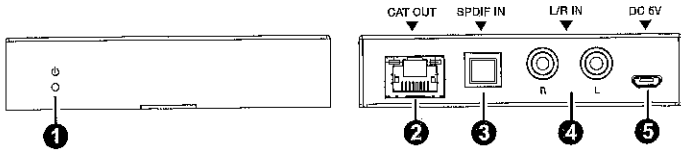
- ① 1 × Audio Extender (Transmitter)
- ② 1 × Audio Extender (Receiver)
- ③ 1 × USB Cable (USB-A to Micro-USB port)
- ④ 1 × User Manual

4. Specifications

Technical	
Bitrate over Distance	192kHz - 100m/330ft, 96kHz - 150m/495ft, 48kHz - 300m/990ft
Supported Audio Formats	Optical: All audio formats, including LPCM2.0, LPCM5.1, Dolby Digital2/5.1CH Analog: PCM 2.0
Sample Rates	32kHz, 44.1kHz, 48kHz, 96kHz, 176.4kHz and 192kHz up to 24-bit resolution
ESD Protection	IEC 61000-4-2: ±8kV (Air-gap discharge), ±4kV (Contact discharge)
Connection	
Transmitter	Input port: 1 x SPDIF IN [Optical Audio Jack] 1 x L/R IN [RCA Stereo Audio jack] 1 x Micro-USB Output port: 1 x CAT OUT [RJ45]
Receiver	Input port: 1 x CAT IN [RJ45] 1 x Micro-USB Output port: 1 x SPDIF OUT [Optical Audio Jack] 1 x L/R OUT [RCA Stereo Audio jack]
Mechanical	
Housing	Metal Enclosure
Color	Black
Dimensions	Transmitter/Receiver: 90mm (W) × 72mm (H) × 20mm (D)
Weight	Transmitter/Receiver: 174g
Power Supply	DC 5V/1A
Power Consumption	1.5W (Max)
Operating Temperature	0°C ~ 40°C / 32°F ~ 104°F
Storage Temperature	-20°C ~ 60°C / -4°F ~ 140°F
Relative Humidity	20~90% RH (non-condensing)

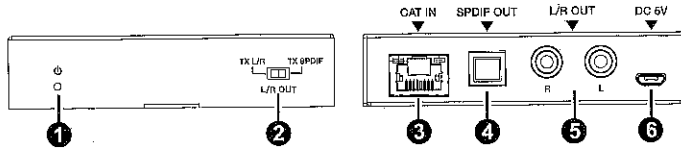
5. Operation Controls and Functions

5.1 Transmitter



No.	Name	Function Description
1	Power LED	When the transmitter is powered on, the power LED will be on.
2	CAT OUT	Connect to the CAT IN port of the receiver with CAT5E/6 cable.
3	SPDIF IN	Optical fiber audio input port, connected to an optical digital audio source device with Optical Toslink cable.
4	L/R IN	Analog audio input port, connected to an analog audio source device with RCA cable.
5	DC 5V	Micro USB power input port.

5.2 Receiver

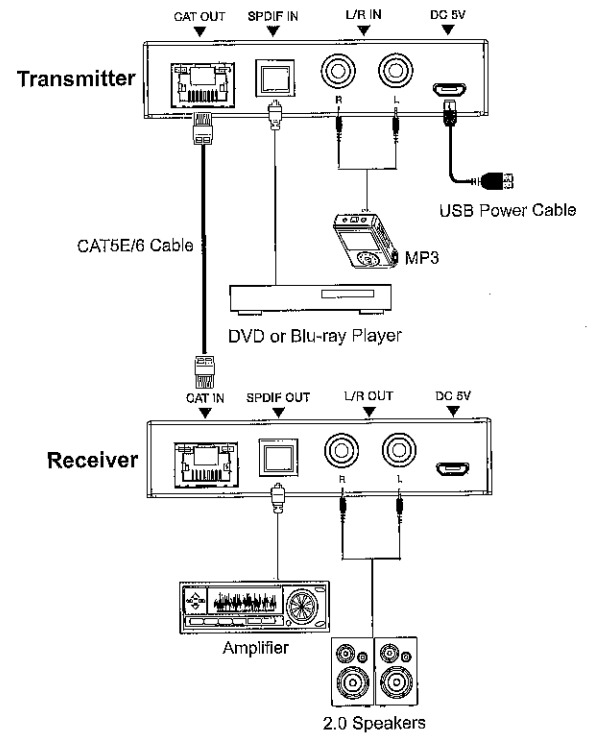


No.	Name	Function Description
1	Power LED	When the receiver is powered on, the power LED will be on.
2	L/R OUT audio selection switch	Use this switch to select audio source for the L/R OUT port. Switch to "TX L/R". The L/R OUT port outputs the analog audio from the L/R IN port of the transmitter. Switch to "TX SPDIF". The L/R OUT port outputs the digital audio from the SPDIF IN port of the transmitter.
3	CAT IN	Connect to the CAT OUT port of the transmitter with CAT5E/6 cable.
4	SPDIF OUT	Optical fiber audio output port, connected to amplifier or speaker with Optical Toslink cable.

3/4

No.	Name	Function Description
5	L/R OUT	Analog audio output port, connected to amplifier or speaker with RCA cable.
6	DC 5V	Micro USB power input port.

6. Application Example



4/4