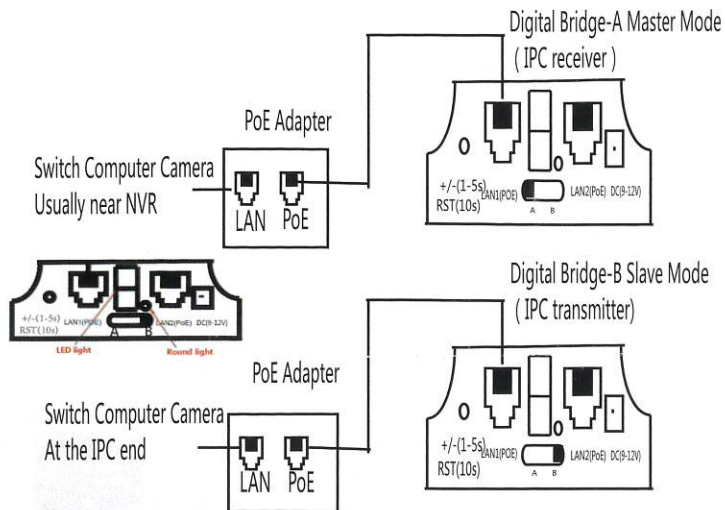


The Wireless Bridge Manual

Digital Display Wireless Bridge

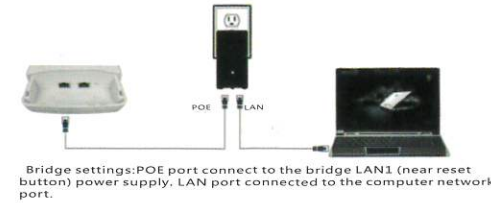


1. First Set A B A-B mode DIP switch, led L appears and blinks. After the disappearance of L shows an arrangement remain successful.
2. The reset button to set the led digital display, click the startup configuration status, then click the automatic increase. Can be continuously increased
3. Assume that a pair of bridges with a number of 1 is configured
After A set to 1, after the B set to 1, during the LED will flash, L application configuration appears blinking, wait, L foot after flashing into a digital 1, 1 will continue to flash until the A, B are connected After the success, the LED display 1 is always on, not flashing, indicating that the AB has been successfully networked.

Link	Bridge connection is successful, link lights, not connected Off
LAN1	Turning on the lighting data, the communication flashing, off data nowhere
LAN2	Turning on the lighting data, the communication flashing, off data nowhere
PWR	Power indicator, power on
LED	Display H, expressed configured to manually set state
LED	L displayed and flashes, represents settings
LED	Flashing, it indicates to modify the configuration, or is connected to the
Round light	A, B status lights, light that is not mode A, mode B light that
RST	1-5s press, led digital automatic increase, 0-F from circulation
RST	Press over 10s, release the reset, the system automatically restart

LED	A IP	B IP	2.4 ID	5.8 ID
0	192.168.255.100	192.168.255.200	0	0
1	192.168.255.101	192.168.255.201	1	165
2	192.168.255.102	192.168.255.202	2	161
3	192.168.255.103	192.168.255.203	3	157
4	192.168.255.104	192.168.255.204	4	153
5	192.168.255.106	192.168.255.205	5	149
6	192.168.255.106	192.168.255.206	6	48
7	192.168.255.107	192.168.255.207	7	44
8	192.168.255.108	192.168.255.208	8	40
9	192.168.255.109	192.168.255.209	9	36
a	192.168.255.110	192.168.255.210	10	140
b	192.168.255.111	192.168.255.211	11	132
C	192.168.255.112	192.168.255.212	13	124
D	192.168.255.113	192.168.255.213	96	116
E	192.168.255.114	192.168.255.214	50	108
F	192.168.255.115	192.168.255.215	55	100

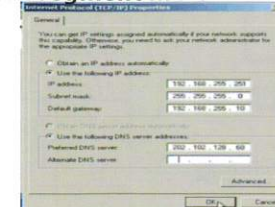
2.The Building Diagram as follows



Bridge settings:PoE port connect to the bridge LAN1 (near reset button) power supply. LAN port connected to the computer network port.

4 Landing

1. After power-on, Connect device LAN2 port to the PC network port, Added IP address and subnet mask of 192.168.255.X segment in PC



2. Open your browser, and input the login IP address of the device (if the device is A enter: http://192.168.255.1; if the device is a B Enter http://192.168.255.2) and press Enter for login WEB Management interface.

In order to ensure the best display for WEB, Make sure to use the latest version

A device configuration

1. Enter the interface of [Bridge Set]
2. Bridge mode is set to mode A
3. Set the ID number (The ID number of device A is same with pairing device B)
4. After Press the [Application settings] Button the configuration is effective



B device configuration

1. Enter the interface of [Bridge Set]
2. Bridge mode is set to mode B
3. Set the ID number (The ID number of device B is same with pairing device A)
4. After Press the [Application settings] Button the configuration is effective



Note: 1. For One-to-many Setting. The ID number must be same for A device and more devices B
2. For more "One-to-many Setting". Keep the ID number are different, for this can Avoid connecting to each other.

3. In the login window to enter a user name and password (the default are both: admin), and press the "OK" button.
4. After successful login into the bridge configuration interface



5.Using schematic

1. One to One is used for connection between two devices.
2. One to More is used for connection between One device A and more devices B

